



www.claypaky.it

WATER COLUMN

Congratulations on choosing a Clay Paky product! We thank you for your custom. Please note that this product, as all the others in the rich Clay Paky range, has been designed and made with total quality to ensure excellent performance and best meet your expectations and requirements.

INSTRUCTIONS MANUAL

Carefully read this instructions manual in its entirety and keep it safe for future reference.

It is essential to know the information and comply with the instructions given in this manual in order to ensure the fitting is installed, used and serviced correctly and safely.

CLAY PAKY S.p.A. disclaims all liability for damage to the fitting or to other property or persons deriving from installation, use and maintenance that have not been carried out in conformity with this instructions manual, which must always accompany the fitting.

CLAY PAKY S.p.A. reserves the right to modify the characteristics stated in this instructions manual at any time and without prior notice.

1

SAFETY INFORMATION



It is permissible to mount the fitting on normally flammable surfaces.

• Maximum ambient temperature

For the fitting to operate well and reliably, the ambient temperature should not exceed 35°C (95°F).

• IP20 protection rating

The fitting is protected against penetration by solid bodies with a diameter of over 12 mm (0.47") (first digit 2), but not against dripping water, rain, splashes or jets of water (second digit 0).

• Protection against electrical shock

This fitting is classified, in accordance with the type of protection against electrical shock, in **Class I**. It must therefore be connected to a power supply system with efficient earthing.

It is, moreover, recommended to protect the supply lines of the fitting from indirect contact and/or shorting to earth by using appropriately sized residual current devices.

• Hooking up to the supply mains

The operations for connecting to the electricity mains must be carried out by a qualified electrical installer.

Check that the mains frequency and voltage correspond to the frequency and voltage for which the projector is designed, given on the electrical data label.

This label also gives the input power. Refer to this to evaluate the maximum number of fittings to connect to the electricity line in order to avoid overloading. es.

• Maintenance

Before starting any operation on the device, disconnect the mains power supply.

The maximum temperature of the device's outside surface when at full operating temperature is 60°C (140°F).

After switching off, do not remove any part of the device for 5 minutes, after which there is virtually no risk that the lamp will explode. If the lamp has to be replaced, wait a further 10 minutes to avoid burns. The device is designed so that any pieces of broken glass produced if the lamp explodes will be retained; to ensure this, the lid giving access to the lamp compartment must be closed when the device is in operation.

• Lamp

- Carefully read the "operating instructions" provided by the lamp manufacturer.
- Immediately replace the lamp if damaged or deformed by heat.



The products referred to in this manual conform to the European Community Directives to which they are subject:

- Low Voltage 2006/95/CE
- Electromagnetic Compatibility 2004/108/CE

2

UNPACKING AND PREPARATION

• Unpacking

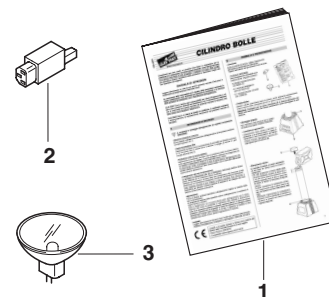
Open the cardboard box, remove the device from the packaging and place it on the floor.

Remove all the accessories supplied as standard from the packaging.

• Packing contents

Besides the projector, the packing also contains the following accessories:

- This instructions manual code 099561 (1).
- N. 1 socket for mounting on cable code 030210 (2).
- N. 1 lamp Decostar 12V 50W code L10056 (3).



• Cylinder cleaning

If the cylinder is dusty, clean it with water and neutral soap only, and dry with a soft, non-abrasive cloth.

Caution: Use an absorbent cloth (4) to protect the gap where the cylinder connects to the base, to ensure water cannot get in and damage the electric parts.

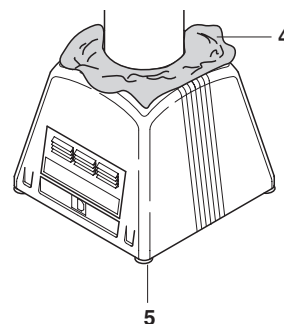
• Fitting the lamp

Refer to the instructions for changing the lamp provided in section 3 MAINTENANCE.

• Installing the device

The unit must be mounted on the floor or on a stable structure able to support the total weight of the cylinder when filled with water.

Rest the unit on the special shock-resistant rubber pads (5).



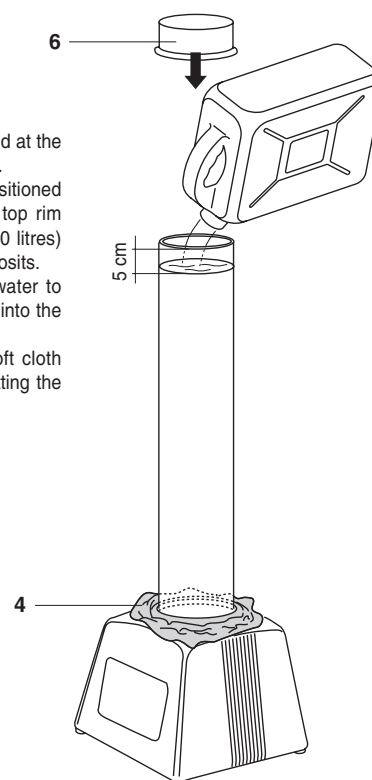
• Filling the cylinder

An absorbent cloth (4) should be placed at the base of the cylinder before filling starts.

Once the Water Column has been positioned as required, fill it to 5 cm below the top rim using distilled water (capacity about 30 litres) to minimise the formation of scale deposits.

When filling, take care not to allow water to flow along the outside of the hose, or into the opening in the base.

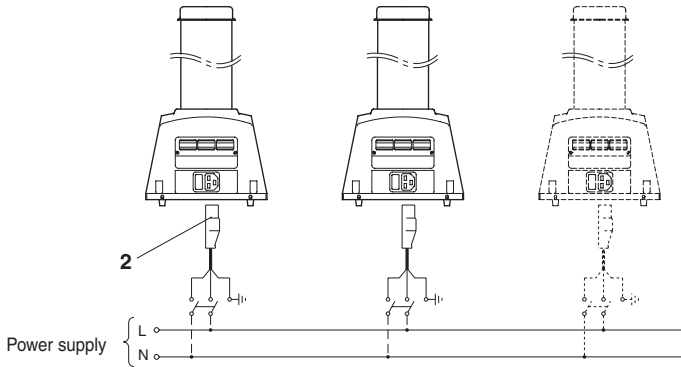
After filling, remove the protective soft cloth and close the top of the cylinder by fitting the cap provided (6).



• Connecting to the mains power supply

The device must be connected to the electricity supply system by means of the connector (2) provided.

Each device should be connected by means of a switch of its own, so that it can be switched on and off separately from a distance.

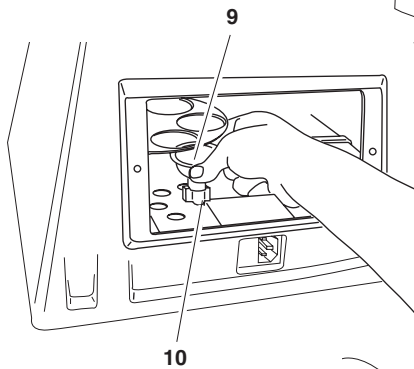
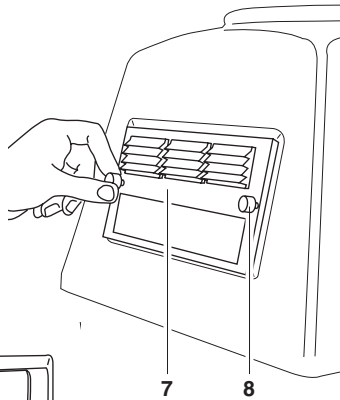


After all the operations described above have been carried out, supply power to the device and check that the lamp lights up, and that bubble production and the rotation of the colour disc begin.

3 MAINTENANCE

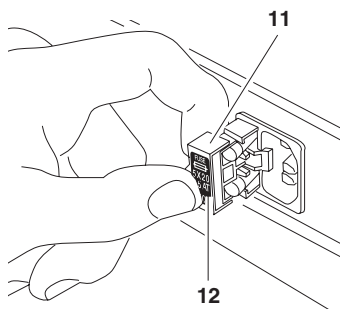
• Changing the lamp

Undo the wing-nuts (8) and open the lid (7) giving access to the lamp compartment. Remove the faulty lamp (9) from the socket (10), then take the new lamp from its pack. Read the "instructions for use" provided by the lamp manufacturer carefully, and fit it into the socket (10), checking that the tabs are properly positioned. Replace the lid (7) and tighten the wing-nuts (8).



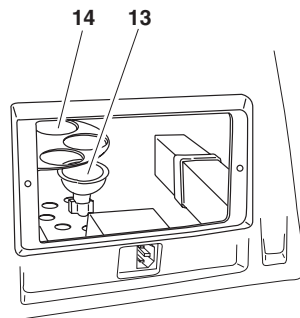
• Changing the fuses

Extract the fuse-box (11), taking hold of it by the side tangs. Replace the blown fuses with new fuses of the type stated on the label (12) on the fuse-box (11) and put the box back in place.



• Routine cleaning

To maintain optimum performance and efficiency over the long-term, the parts where dust and grease accumulate must be cleaned periodically. To remove dirt from the protective glass (13) of the lamp and colour filters (14), use a soft cloth dipped in any window-cleaning liquid.



The inside surface of the cylinder should be cleaned every year, emptying out the water it contains.

Clean the outside and inside of the cylinder using water with neutral soap only. Dry with a soft (non abrasive) cloth.

4 TROUBLESHOOTING

THE LAMP DOES NOT COME ON		PROBLEMS
NO OR TOO FEW BUBBLES		
COLOUR DISC DOES NOT TURN		
LIGHT TOO DIM		
	POSSIBLE CAUSES	CHECKS AND REMEDIES
●	Lamp burnt out.	Replace the lamp.
●	No mains power supply.	Check that the power supply connector is receiving power, and/or that the fuses have not blown.
●	Transformer has failed.	Contact an authorised technician.
●	Compressor has failed.	Contact an authorised technician.
●	Porous element dirty.	Contact an authorised technician..
●	Motor has failed.	Contact an authorised technician.
●	Dust or grease deposits.	Clean (see instructions).

5 TECHNICAL DATA

Power supply

- 100-120V 60Hz
- 200-240V 50Hz

The projector is designed to work at the frequency and voltage given on the electrical data label on the back of the appliance.

Operating position

Operates in vertical position.

Weight, capacity and dimensions

- Weight: 12 Kg (empty) (26 lbs 6 ozs).
- Capacity: about 30 litres.

Lamp

Halogen dichroic lamp.

- Voltage: 12V.
- Power: 50W.
- Nominal lifetime: 4,000 hours.
- Colour temperature: 3,100 K.
- Cap: GU5,3.

Colour disc

Continuously rotating colour disc
1 rev/min, 8 colours: red, blue, orange, violet, green, pink, yellow and white.
The colour filters on the wheel can easily be replaced with other filters in polycarbonate or dichroic glass

Bubbles

- Bubble generation cycle (interval between bursts): 3 seconds.
- Duration of burst: 4.5 seconds.

Maximum power absorption

110VA.

Safety devices

- 2 line fuses.
- Degree of protection IP20.
- Conforms to EC directives.

Body

- ABS base.
- Clear plastic (PMMA) cylinder.

